



Handheld Steady Gimbal 3 Axis

FOR GOPRO4 & GOPRO3+ & GOPRO3 And Other Cameras With The Same Size
G3Ultra 三轴手持稳定云台 (适用于GoPro4 / GoPro3+和 GoPro3以及外形尺寸相同的运动相机)

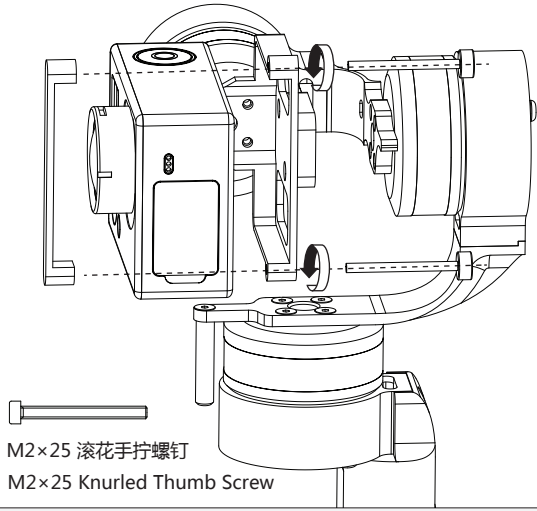
1 WARNING!

- GoPro camera must be installed before supplying power to the Gimbal. Failure to do so will result in damage to the gimbal motors.
- Be sure to connect the computer with the **USB Connector**

- 注意!**
- 请先安装好GoPro相机后再通电!
 - 连接电脑时请务必使用 **USB转换头**

1 Camera Installation Diagram

相机安装图



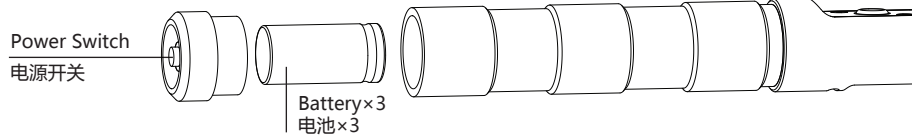
M2x25 滚花手拧螺钉
M2x25 Knurled Thumb Screw

Secure the GoPro 4 or Hero 3+ or Hero 3 camera as shown using the included M2x25 Knurled Thumb Screw.

2 Battery Installation Diagram 电池安装图

Remove the power switch cap, insert the batteries into the handle as shown. Replace the power switch cap and your G3 Ultra 3 Axis Gimbal is now ready to use by simply pressing the power button and following the gimbal initialization instructions below.

扭开电源盖,把电池放入电池仓后,按下电源开关,即可启动3轴云台。



3 Initialize The FY-G3 Ultra Gimbal 云台初始化

FY-G3 Ultra Gimbal Initialization Instructions:

Keep the gimbal motionless, then power on, hold the gimbal steady and it will initialize automatically. Once complete the camera will be level with the horizon in pitch and roll angles and it will be in Heading Follow Mode.

In addition to initial power on, the FY-G3 Ultra Gimbal needs to be initialized whenever the following situations appear:

- After power on, the angle of pitch is not level with the horizon line.
- After power on, the angle of roll is not parallel with the horizon line.
- When the gimbal is in heading lock, the angle of heading moves frequently (heading is not stationary)

云台初始化的方法:

把云台放置,保持静止,然后打开电源,等待云台运行后,可以拿起云台正常工作。

当云台出现如下情况时需要初始化:

- 在启动后俯仰角与水平线有小角度偏差。
- 横滚角与水平线有小角度的偏差。
- 保持航向静止时,航向角有频繁的小角度修正。

4 Indicator Explanation

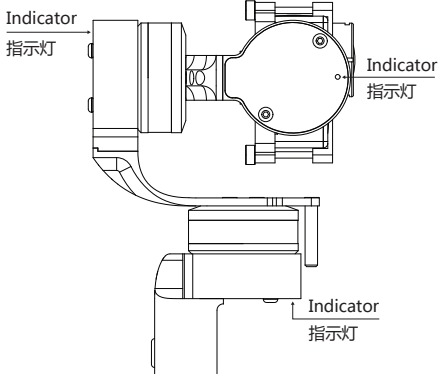
状态指示灯说明

Indicator Explanation

LED Status	Explain
Blue light flashes three times	Full Power
Blue light flashes twice	Enough Power
Blue light flashes once	Low Power
Blue light keeps flashing	No Power

状态指示灯说明

指示灯状态	说明
蓝色3次闪烁	电池电量充足
蓝色2次闪烁	电池电量尚可
蓝色1次闪烁	电池电量低
蓝色快速闪烁	电池没电需充电



5 Interface And Button 接口和按键

Mode Button

(Identify the operation mode via switch to different status of the indicator light)

Used to change operating mode and subsequently displays the current mode. See Mode Selection Instructions below for further details.

功能键

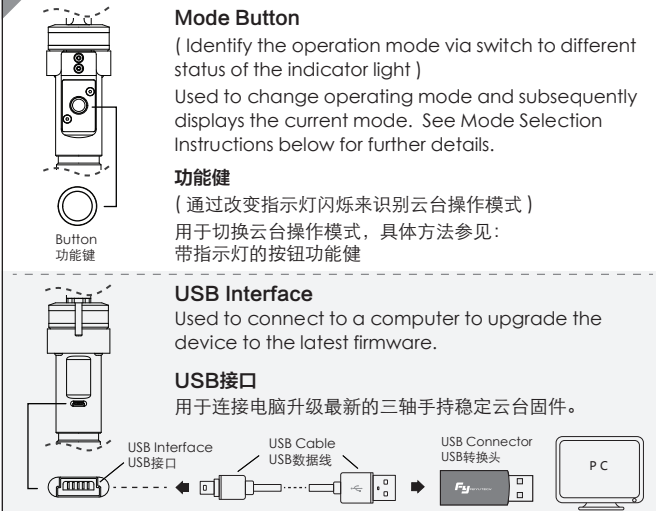
(通过改变指示灯闪烁来识别云台操作模式) 用于切换云台操作模式,具体方法参见:带指示灯的按钮功能键

USB Interface

Used to connect to a computer to upgrade the device to the latest firmware.

USB接口

用于连接电脑升级最新的三轴手持稳定云台固件。



Attention: Be sure to connect the computer with the USB Connector! 注意:请务必使用 **USB转换头** 连接电脑!

6 Mode Selection Instructions

功能介绍

Heading Follow Mode: Camera Pitch and Roll Angles remain constant, heading follows the handheld position.

Heading And Pitch Follow Mode: Camera Roll Angle remains constant. Heading and Pitch follow the handheld position.

Heading Lock Mode: Heading, Pitch and Roll are all locked to point at one position.

航向跟随模式: 俯仰和横滚锁定,航向随着手持的方向平滑的转动。

航向和俯仰跟随模式: 横滚锁定,航向和俯仰的方向随着手持的方向平滑的转动。

锁定模式: 航向、俯仰和横滚都锁定。

Button With Indicator Light Function

Item	LED Status	Function Explanation
Single Press	Single Flashes	Heading Follow mode
Double Press	Double Flashes	Heading And Pitch Follow Mode
Long Press For 1 Second	On Constantly	Heading, Pitch And Roll Are All Locked

带指示灯的按钮功能键

动作方式	指示灯状态	功能说明
单次按下	单次闪烁	航向跟随模式
连续两次按下	二次闪烁	航向和俯仰
长按1秒	常亮	锁定模式(航向、俯仰和横滚都锁定)



Handheld Steady Gimbal 3 Axis

FOR GOPRO4 & GOPRO3+ & GOPRO3 And Other Cameras With The Same Size

G3Ultra 三轴手持稳定云台 (适用于Gopro4 / Gopro3+和 Gopro3以及外形尺寸相同的运动相机)

7 Operation Skill 操作技巧

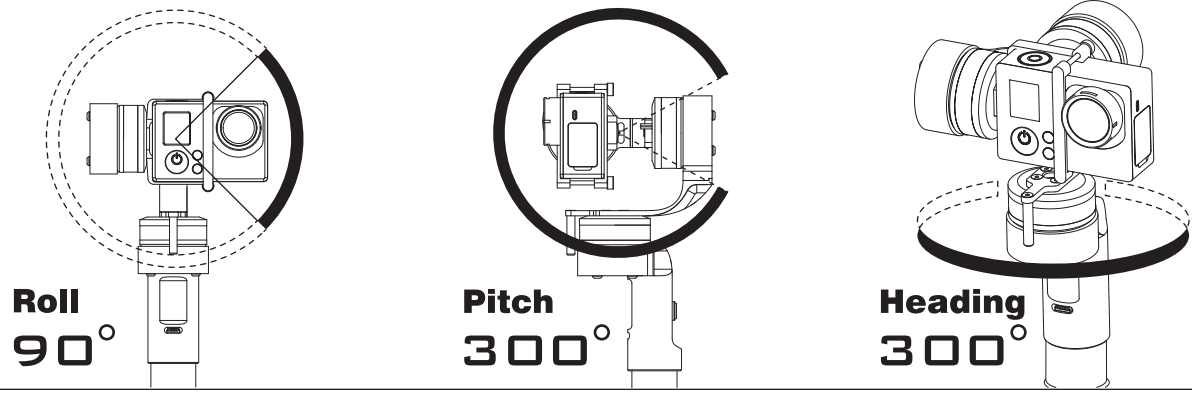
Operating Tips To adjust the pitch angle: double click the button first to enter into heading and pitch follow mode. Hold the gimbal at the desired angle, then press the button once to reengage Heading Follow Mode in order to lock the angle of desired pitch.

Selfie Mode Turn the gimbal 180° so the USB port is facing you. Then, simply adjust the angle of pitch to the desired angle by utilizing the Heading and Pitch Follow Mode described above and then switch back to Heading Follow Mode. Once complete you can video yourself with ease.

调整俯仰角拍摄的技巧 先双击功能键, 进入航向和俯仰跟随模式, 调整姿态让俯仰轴随动到想要的角度上, 然后单按功能键, 就可以锁定俯仰角度, 进入航向跟随模式。

自拍模式 手握的时候, 把手柄调转180度 (USB口正对自己), 根据手持的高度, 通过上面的方法调整俯仰角度, 然后就可以方便的自拍了。

8 Maximum Rotation Angle Of Roll, Pitch and Heading Axis 轴的最大旋转角度



Items	Min	Standard	Max	Remarks
Working Voltage	9.0V	12.0V	17.0V	
Static Attitude Tracking Accuracy	0.01	0.02	0.05	Gimbal in static mode
Motion Attitude Tracking Accuracy	0.1	0.2	0.5	Motor overload < 2G
Overload Current Protection		800mA		
Pitch Angle	-150 (Down)	0 (Horizontal)	+150 (Up)	Handheld in horizontal
Roll Angle	-45	0 (Horizontal)	+45	
Heading Angle	-150 (Left)		+150	Handheld in vertical
Heading Angle	-50		+50	Handheld in horizontal
Pitch Following Rate	2°/Sec		50°/Sec	
Heading Following Rate	3°/Sec		150°/Sec	
Weight		305g		Without batteries & camera

项目	最小	标准	最大	备注
工作电压	9.0V	12.0V	17.0V	
静止姿态跟踪精度	0.01	0.02	0.05	云台静止
运动姿态跟踪精度	0.1	0.2	0.5	运动过载 < 2G
电机过载保护电流		800mA		
俯仰角动作范围	-150 (向下)	0 (水平)	+150 (向上)	水平手持
横滚角动作范围	-45	0 (水平)	+45	
航向角动作范围	-150 (向左)		+150	垂直手持
航向角动作范围	-50		+50	水平手持
俯仰随动速率	2°每秒		50°每秒	
航向随动速率	3°每秒		150°每秒	
重量		305g		不含电池和相机

9 Mountings 配件

Charger 充电器
 Input: DC 5V Min 800mA
 Output: DC 4.2V

WARNING 警告
 To prevent it from fire or moisture. To reduce the risk of electronic shock. Do not remove cover (or back plate). If any parts need repair, consult an authorized service dealer.
 为了防止火灾或受潮, 以及减少触电的危险, 请不要打开护盖。如有零部件需维修, 请咨询授权服务代理商。

USB Cable USB数据线

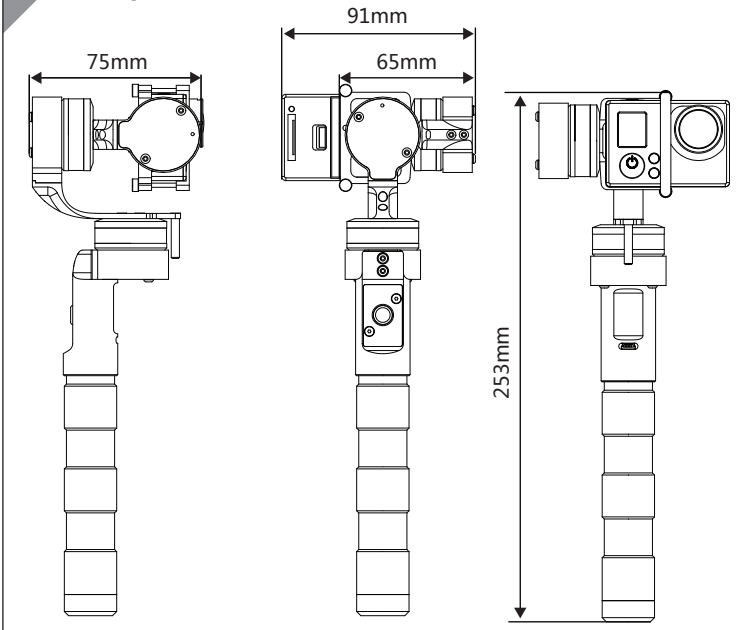
USB Connector USB转换头

Rechargeable Battery 可充电电池
 Type: 16340

Charging 充电

Battery Charging: Please place the batteries into the charger for charging. Its not allowed to connect the USB cable to G3Ultra for charging directly.
请将电池取出放入充电器充电 请勿使用USB数据线直接连接云台充电或者连接电脑。

10 Diagram 产品展示图



If any comments or suggestions please do not hesitate to e-mail us directly: service@feiyu-tech.com Please visit the official website of Feiyu Tech to get related information : www.feiyu-tech.com

Feiyu Tech reserves the right to amend this manual and the terms and conditions of use the gimbal at any time. 更多相关信息可访问飞宇科技官方网站: www.feiyu-tech.com

感谢您选用飞宇科技云台产品! 如您对我们的产品有什么意见或者建议可发邮件至 service@feiyu-tech.com 最新说明书可在官方网站: www.feiyu-tech.com 获取。本公司保留一切解释权。

